

IF IN DOUBT ASK DO NOT SCALE

**Customer & order detail**

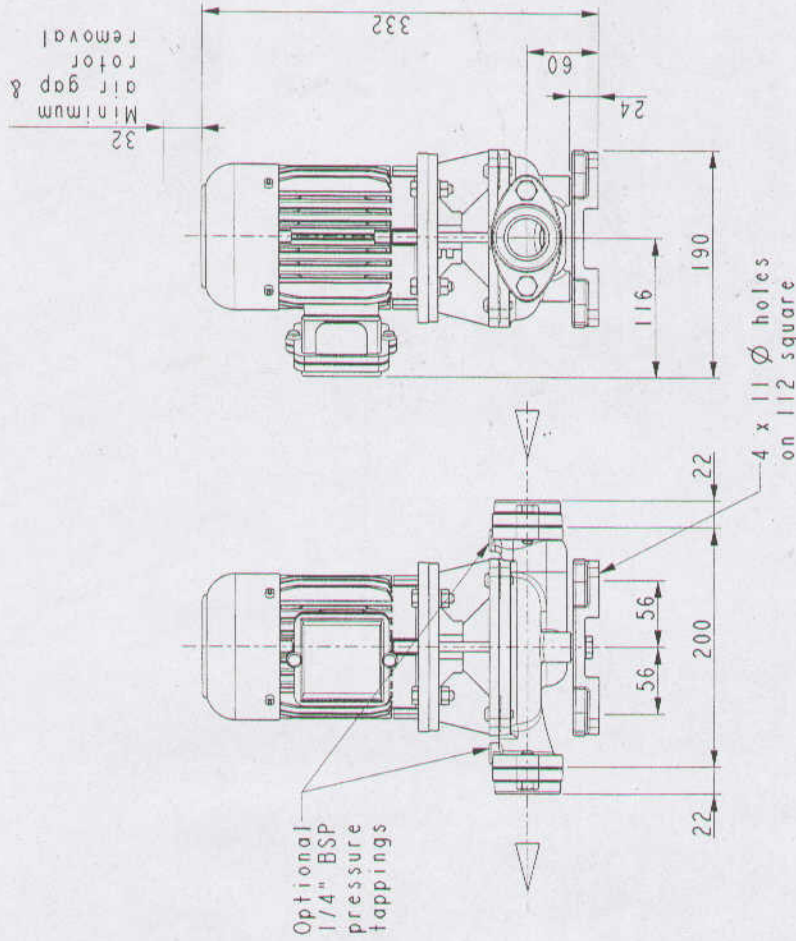
Name: MAN B&W Diesel Ltd  
Order No: 4540076738  
Product title: HT Heater Circ. Pump  
Flow rate: 50 l/min Pressure: 5 metres  
Order Date: 10.03.2006  
Duty Product: Water  
Temperature: 95°C

**Equipment detail**

Product identity: RB603  
Motor: 0.25kW, 2850rpm  
Impeller diameter: 75mm  
Unit weight: 15kg  
Serial No: 37095/1 to 37095/4  
Electrical detail: 380v 3ph 50hz

**General**

Product build specification M2482  
Flange tapping: 1 1/2" BSP, specification M2083  
Mounting base specification M2086



Product item reference number: 88-064-04798-0AA  
Drawing item reference number: 88-064-04798-0ZZ

SCALE

TITLE  
**RB603  
JW Water Circulating Pump  
General arrangement &  
Installation dimensions**

QUANTITY PER ASSEMBLY	ASSEMBLED ON
	FIRST USED ON
	DRAWN BY DATE
	CHECKED ISSUE


MATERIAL  
FINISH

Roundway Mill  
London Road  
Devizes Wilts  
SN10 2EA  
Tel: +44 (0) 1380 723 402  
Fax: +44 (0) 1380 729 063  
email: sales@surecast.co.uk  
URL: www.surecast.co.uk

**SURECAST Ltd**

DRAWING NO.  
**12448**

MODIFICATIONS

UNLESS STATED OTHERWISE

THIRD ANGLE PROJECTION

REMOVE ALL BURRS, SHARP EDGES, FLASH, ETC.

DIMENSIONS IN MILLIMETRES

00 ± 1mm  
00.0 ± 0.25mm  
00.00 ± 0.1mm  
00.000 ± 0.025mm

DIMENSIONS IN INCHES (")

FRACTIONAL = 1/64  
2 DEC PLACES = 0.010  
3 " " = 0.005  
4 " " = 0.001

ISSUE

DRAWING NO.  
**12448**